

# PR-18

## PUMP CARTRIDGE REPLACEMENT VALVE

### FOR THE FOLLOWING PUMPS:

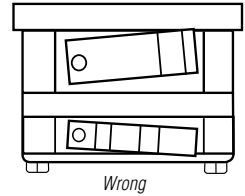
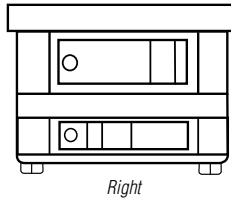
**DV-85N, DV142N, DV200N-DV285N, DV-3E, DV-4E and DV-6E**  
**CFM Serial Numbers 0107 and Up**

1. Remove Cover and Splash Guard.
2. Wipe Inside cover surfaces and cartridge clean.
3. Use 5/32" Allen wrench for socket headscrews

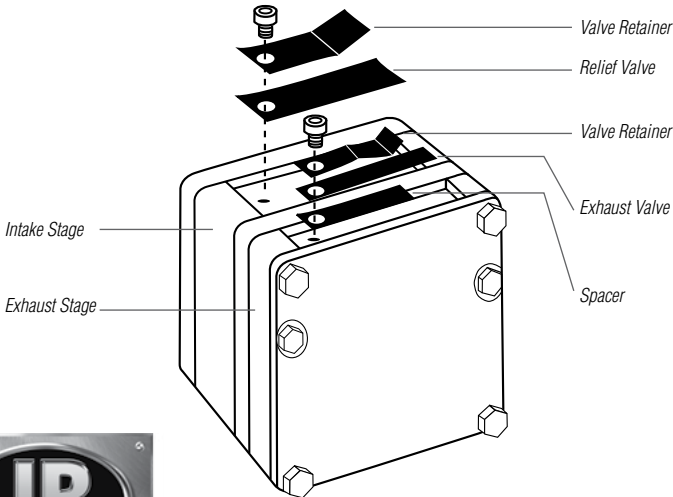
Note: Do not disturb cartridge assembly bolts or setting screws.

### Top View

Center valves between side surfaces.



### Side View



# JB INDUSTRIES