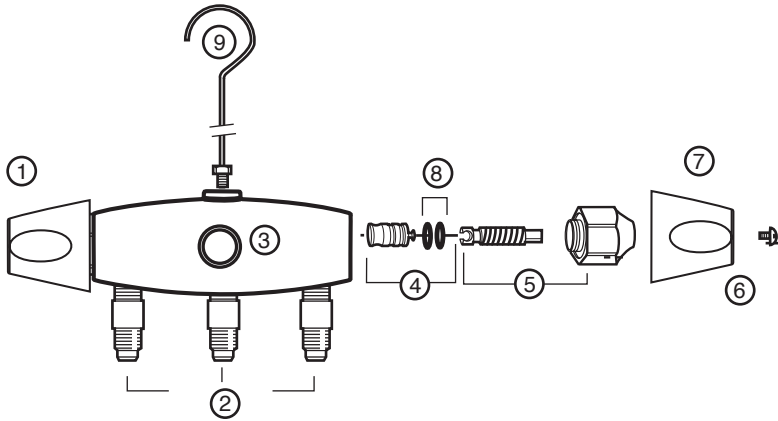


Pump Repair Parts

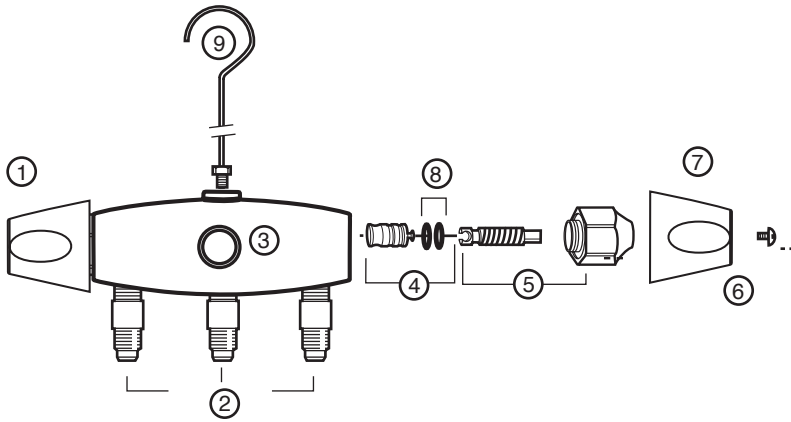
Repair

Zeppelin Brass Series Manifold



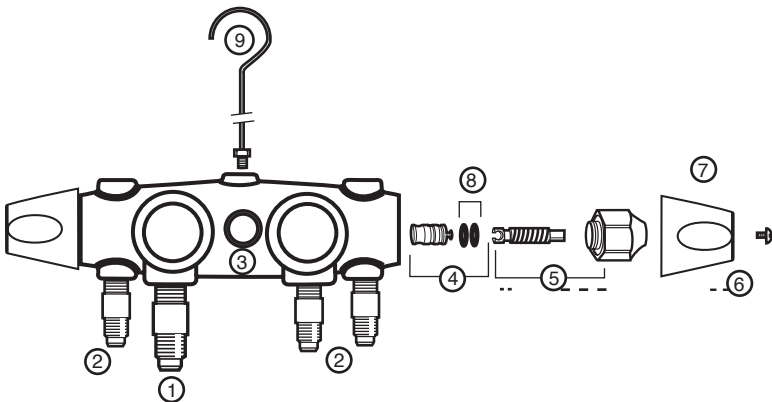
Ref.	Part No.	Description
1	MR-601	Handwheel and screw
2	U1-4A	1/4" Intake
3	MR-520	Sight glass
4	MR-505	Piston with seat and o-rings
5	MR-606	Stem and nut
6	MR-601	Handwheel and screw
7	MR-503	Handwheel screws (two)
8	MR-509	O-rings (two)
9	M2-102N	Hanging hook

Zeppelin Aluminum Series Manifold



Ref.	Part No.	Description
1	MR-601	Handwheel and screw
2	U1-4A	1/4" Intake
3	MR-520	Sight glass
4	MR-505	Piston with seat and o-rings
5	MR-606	Stem and nut
6	MR-601	Handwheel and screw
7	MR-503	Handwheel screws (two)
8	MR-509	O-rings (two)
9	M2-102N	Hanging hook

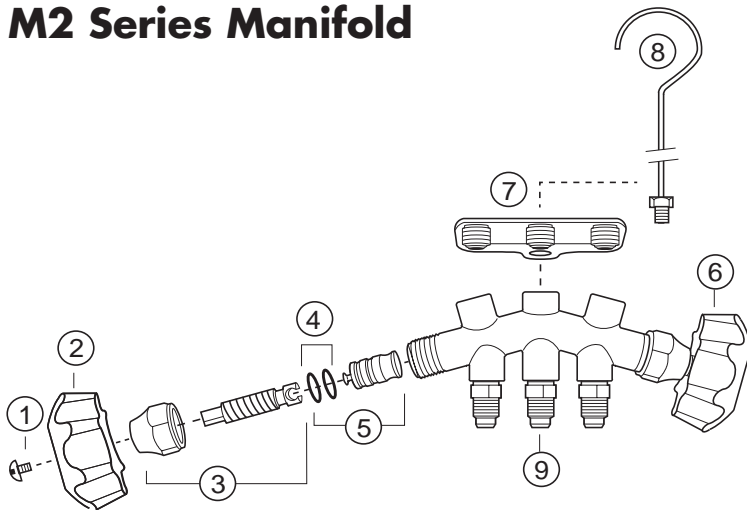
Zeppelin 4-valve Aluminum Series Manifold



Ref.	Part No.	Description
1	U1-6B	3/8" Intake
2	U1-4A	1/4" Intake
3	MR-520	Sight glass
4	MR-605	Piston with seat and o-rings
5	MR-607	Stem and nut
6	MR-601	3/8" Intake
7	MR-503	1/4" Intake
8	MR-509	Sight glass
9	M2-102N	Piston with seat and o-rings Stem and nut

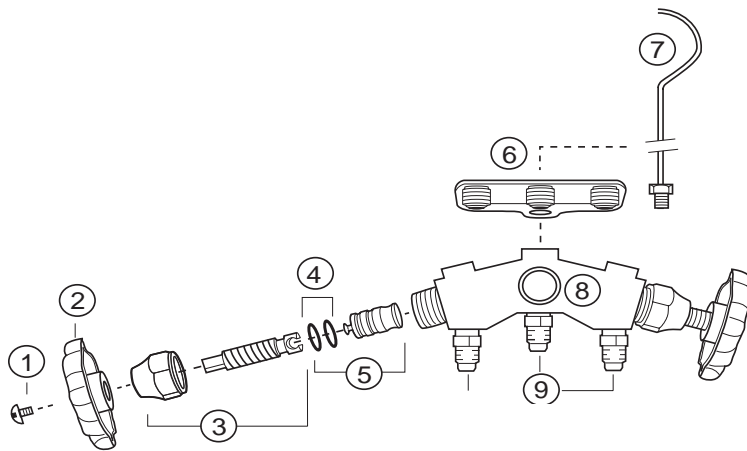
Repair

M2 Series Manifold



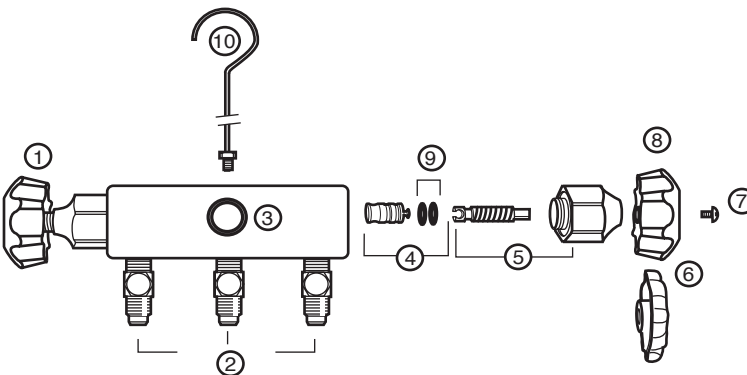
Ref.	Part No.	Description
1	MR-503	Handwheel screw (two)
2	MR-501B	Blue Handwheel and screw
3	MR-516	Stem and nut
4	MR-509	O-ring (two)
5	MR-505	Piston with seat and o-rings
6	MR501R	Red Handwheel
7	M2-300	Hose holder
8	M2-102N	Hanging hook
9	U1-4A	Intake

M5 through M9 Series Manifold



Ref.	Part No.	Description
1	MR-503	Handwheel screws (two)
2	MR-508	Metal handwheel and screw
3	MR-516	stem and nut
4	MR-509	O-rings (two)
4	P90019	134a O-rings(five)
5	MR-505	Piston with seat and o-rings
5	MRA505	134a Piston with seat and o-rings
6	M2-300	Hose holder
6	MR-521	ACME thread hose holder
7	M2-102N	Hanging hook
8	MR-520	Sight glass
9	U1-4A	Intake
9	AF-13450	ACME Intake

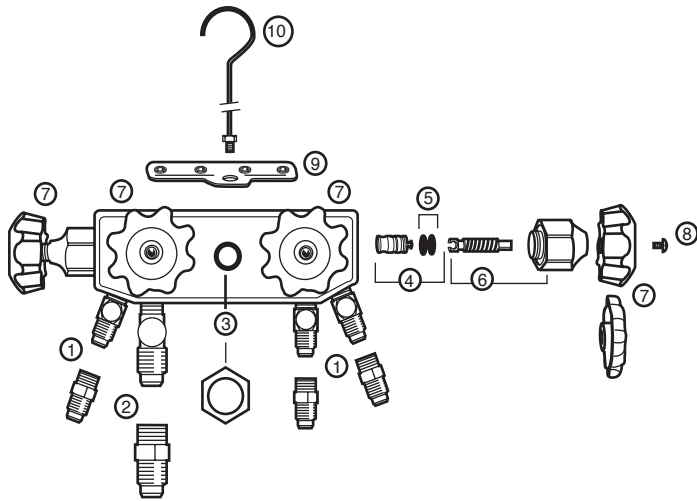
M3 Series Manifold



Ref.	Part No.	Description
1	MR-501B	Blue Handwheel and screws (two)
2	MR-550	1/4" Intake and hose holder
3	MR-520	Sight glass
4	MR-505	Piston with seat and o-rings
5	MR-560	Stem and nut
6	MR-508	Blue Handwheel and screws (two)
7	MR-503	1/4" Intake and hose holder
8	MR-501R	Sight glass
9	MR-509	Piston with seat and o-rings
10	M2-102N	Stem and nut

Manifold Repair Parts

M4 Series Manifold



Replacement Lens

Part No.	Description
MR-517	2 1/2" (63.5 mm) Gauge case screw-on lens (one for plastic and one for metal)
MR-533	3 1/8" (80 mm) Gauge case snap-on lense (one)

Gaskets

Part No.	Description
P509	1/4" QC and gasket seal caps (6 pack)
P509-25	1/4" QC and gasket seal caps (25 pack)
P510	134a CLA series hose (6 pack)

Depressors

Part No.	Description
P90513	1/4" for hoses and couplers (5 pack)
P90513-25	1/4" for hoses and couplers (25 pack)

Gauge Mounting Brackets

Part No.	Description
M2-106	1/8" FPT
M2-108	1/4" FPT

Quick Seal Gasket Cap

For A/C Refrigeration service. Finger tight sealing for all male SAE connections.

Part No.	Description
A31985	1/4" SAE cap (10 pack)
A31985-100	1/4" SAE cap (100 pack)

Quick Seal Caps

Deep Vacuum and A/C Refrigeration. Finger tight sealing for all male SAE connections.

Part No.	Description
MR-517	2 1/2" (63.5 mm) Gauge case screw-on lens (one for plastic and one for metal)
MR-533	3 1/8" (80 mm) Gauge case snap-on lense (one)

1/2" 16 ACME Caps

Part No.	Description
13493	Plastic cap with retainer strap
13494	Plastic cap

Repair

Ref.	Part No.	Description
1	MR-550	1/4" Intake and hose holder
1	U1-4A	1/4" Intake
2	MR-551	3/8" Intake and hose holder
2	U1-6B	3/8" Intake
3	MR-520	Sight glass
3	MR-420	Sight glass (before 2004)
4	MR-405	Piston with seat and o-rings
5	MR-409	O-rings (two)
6	MR-416	Stem and nut
7	MR-501B	Blue Handwheel and screw
7	MR-504B	Black Handwheel and screw
7	MR-501Y	Yellow Handwheel and screw
7	MR-501R	Red Handwheel and screw
7	MR-508	Metal Handwheel and screw
8	MR-503	Handwheel screws (two)
9	MR-531	Hose holder (before 2004)
10	M2-102N	Hanging hook

O-Ring Quick Seal Caps

Part No.	Description
NFT5-4	1/4" SAE cap (10 pack)
NFT5-6	1/4" SAE cap (100 pack)
NFT5-4-100	3/8" SAE cap (3 pack)
NFT5-6-100	3/8" SAE cap (100 pack)

Specialty Caps

Plastic seal cap with plastic retainer strap.

Part No.	Description
A31992	1/4" SAE cap (5 pack)
A31992-100	1/4" SAE cap (100 pack)

Wrench Style Seal Cap

For A/C Refrigeration service. Brass to brass positive seal and permanent installation.

Part No.	Description
A31986	1/4" SAE cap (5 pack)

Replacement depressor for CLB, CLV, and CLE

Part No.	Description
P90513	1/4" for hoses and couplers (5 pack)
P90513-25	1/4" for hoses and couplers (25 pack)