

# ZEPPELIN®

## 4-VALVE ALUMINUM MANIFOLD



SURGE DAMPENED GAUGES FOR REDUCED NEEDLE MOVEMENT

FULL 3/8" BORE EVACUATES 40% FASTER THAN THE COMPETING 4-VALVE MANIFOLD

AVAILABLE WITH 2-1/2", 3-1/8", AND 4" SIZE GAUGES

REPLACEABLE INTAKE/HOSE HOLDER FITTINGS FOR STORAGE (ON BACK)

SIGHT GLASS STANDARD ON ALL 4-VALVE MODELS

COLOR-CODED REFRIGERANT DIALS FOR EASY READING

PULL-OUT PROOF HANGING HOOK

PRECISELY MACHINED ANODIZED ALUMINUM BODY

SOFT GRIP RUBBER HAND WHEELS REDUCE TURNING TO OPEN/CLOSE

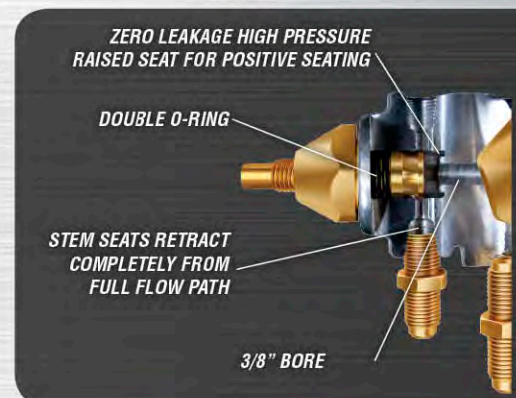
HEAVY-DUTY FORGED

ALUMINUM BODY IS RUGGED AND DURABLE

## 40% FASTER THAN LEADING 4-VALVE MANIFOLDS

The American made ZEPPELIN® series of aluminum manifolds features durable molded "soft grip" rubber handles with fingertip grooves for easy opening and closing while the improved stem design means "full open" in only 2½ turns.

The aluminum ZEPPELIN® series, also available in 2-valve, incorporates cutting edge styling and technology to significantly reduce the weight of the manifold.



AMERICAN MADE

# JB INDUSTRIES

www.jbind.com 800.323.0811 sales@jbind.com



TM