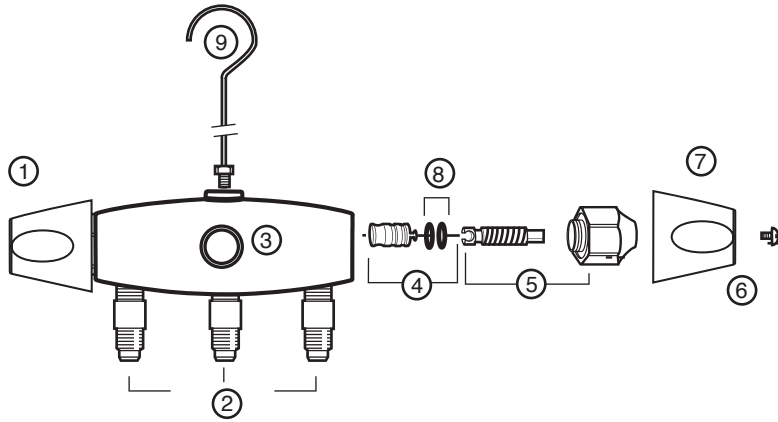


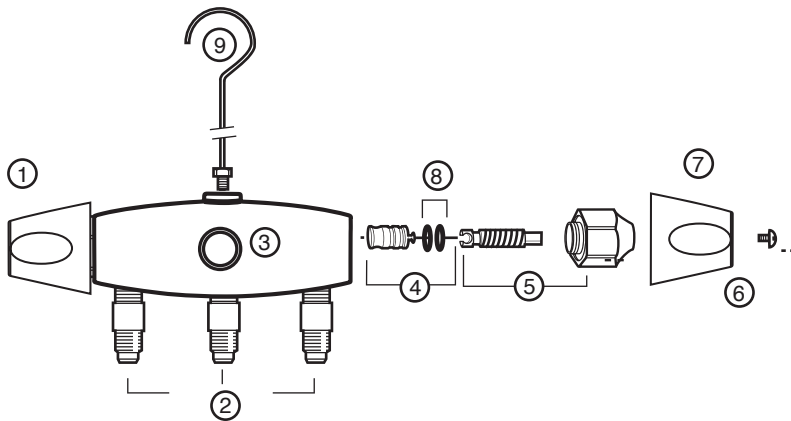
## ZEPPELIN BRASS SERIES MANIFOLD



REFERENCE	PART NO.	DESCRIPTION
-----------	----------	-------------

1	MR-601	Hand wheel and screw
2	U1-4A	1/4" Intake
3	MR-520	Sight glass
4	MR-505	Piston with seat and O-rings
5	MR-606	Stem and nut
6	MR-601	Hand wheel and screw
7	MR-503	Hand wheel screws (two)
8	MR-509	O-rings (two)
9	M2-102N	Hanging hook

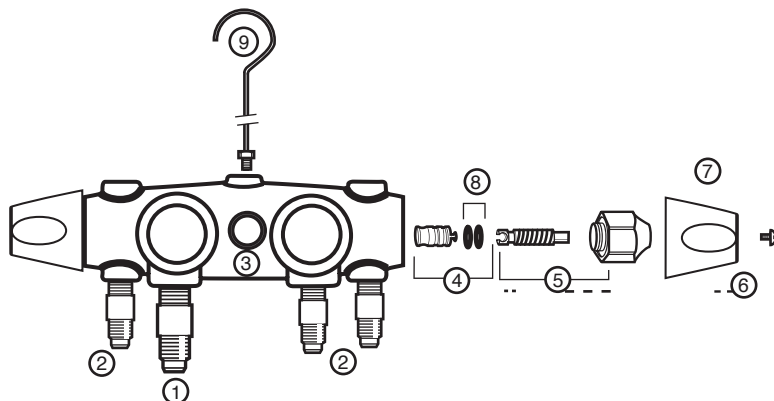
## ZEPPELIN ALUMINUM SERIES MANIFOLD



REFERENCE	PART NO.	DESCRIPTION
-----------	----------	-------------

1	MR-601	Hand wheel and screw
2	U1-4A	1/4" Intake
3	MR-520	Sight glass
4	MR-505	Piston with seat and O-rings
5	MR-606	Stem and nut
6	MR-601	Hand wheel and screw
7	MR-503	Hand wheel screws (two)
8	MR-509	O-rings (two)
9	M2-102N	Hanging hook

## ZEPPELIN 4-VALVE ALUMINUM SERIES MANIFOLD



REFERENCE	PART NO.	DESCRIPTION
-----------	----------	-------------

1	U1-6B	3/8" Intake
2	U1-4A	1/4" Intake
3	MR-520	Sight glass
4	MR-605	Piston with seat and O-rings
5	MR-607	Stem and nut
6	MR-601	Hand wheel and screw
7	MR-503	Hand wheel screws (two)
8	MR-409	O-rings (two)
9	M2-102N	Hanging hook