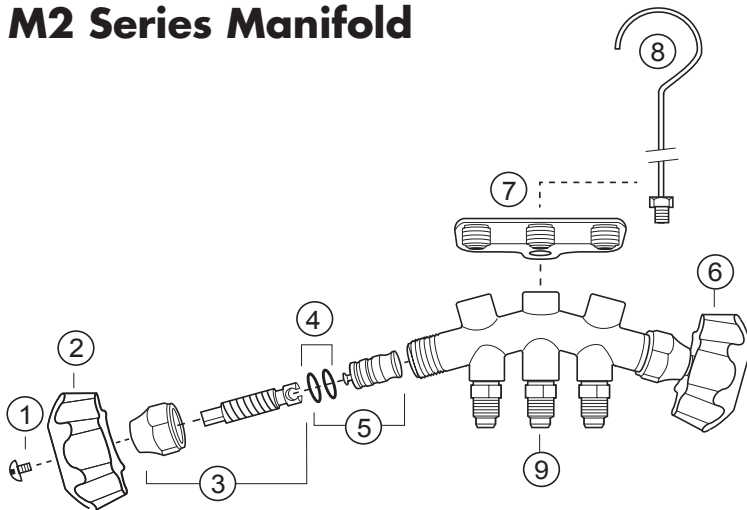


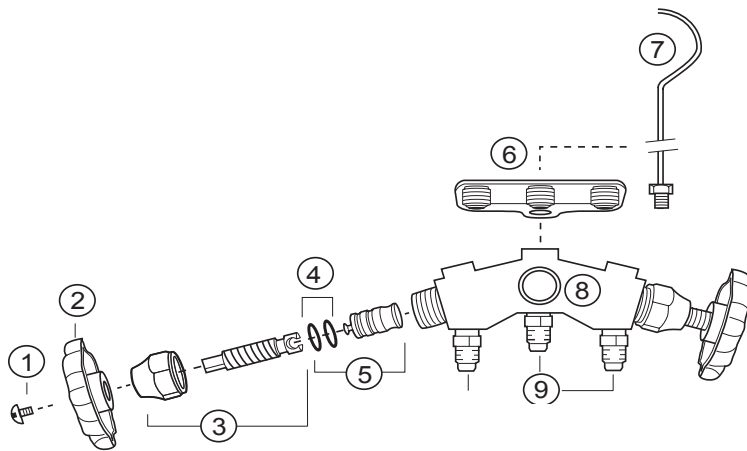
Repair

M2 Series Manifold



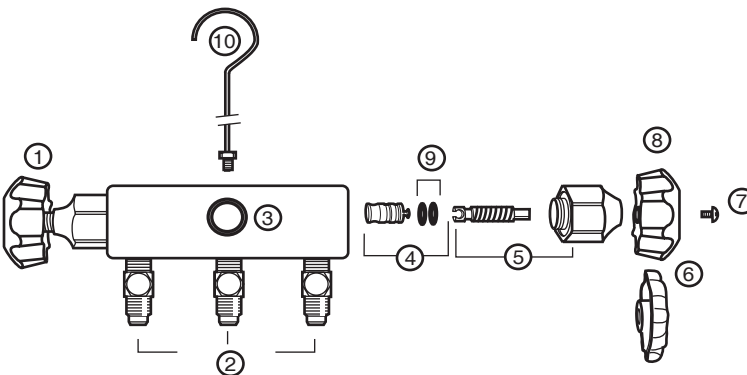
Ref.	Part No.	Description
1	MR-503	Handwheel screw (two)
2	MR-501B	Blue Handwheel and screw
3	MR-516	Stem and nut
4	MR-509	O-ring (two)
5	MR-505	Piston with seat and o-rings
6	MR501R	Red Handwheel
7	M2-300	Hose holder
8	M2-102N	Hanging hook
9	U1-4A	Intake

M5 through M9 Series Manifold



Ref.	Part No.	Description
1	MR-503	Handwheel screws (two)
2	MR-508	Metal handwheel and screw
3	MR-516	stem and nut
4	MR-509	O-rings (two)
4	P90019	134a O-rings(five)
5	MR-505	Piston with seat and o-rings
5	MRA505	134a Piston with seat and o-rings
6	M2-300	Hose holder
6	MR-521	ACME thread hose holder
7	M2-102N	Hanging hook
8	MR-520	Sight glass
9	U1-4A	Intake
9	AF-13450	ACME Intake

M3 Series Manifold



Ref.	Part No.	Description
1	MR-501B	Blue Handwheel and screws (two)
2	MR-550	1/4" Intake and hose holder
3	MR-520	Sight glass
4	MR-505	Piston with seat and o-rings
5	MR-560	Stem and nut
6	MR-508	Blue Handwheel and screws (two)
7	MR-503	1/4" Intake and hose holder
8	MR-501R	Sight glass
9	MR-509	Piston with seat and o-rings
10	M2-102N	Stem and nut