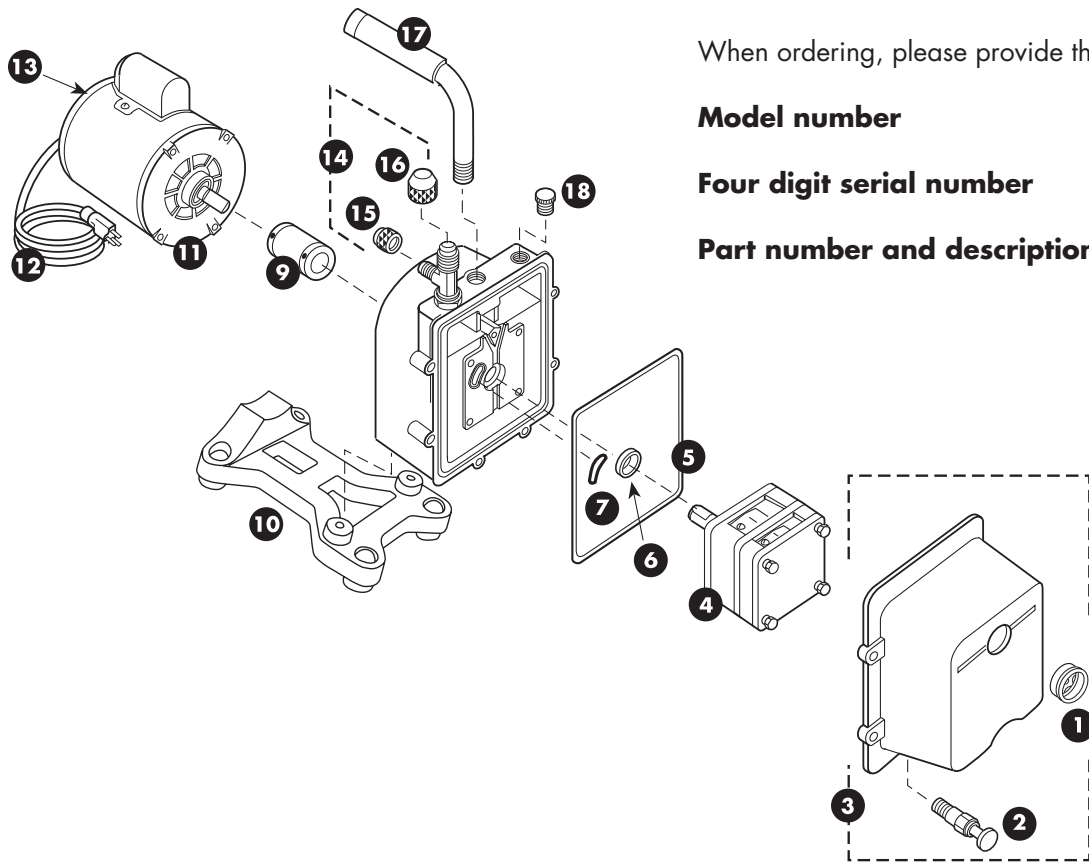


DV-3E, DV-4E and DV-6E Eliminator™ Series



When ordering, please provide the following information:

Model number

Four digit serial number

Part number and description

Reference	Part No.	Description
1	PR-1	Sight glass
2	PR-2	Drain valve
3	PR-9	DV-3E Cover assembly includes sight glass and drain valve
3	PR-10	DV-4E and DV-6E Cover assembly includes sight glass and drain valve
4	PR-302	DV-3E Cartridge complete with o-rings and cover seal
4	PR-303	DV-4E Cartridge complete with o-rings and cover seal
4	PR-304	DV-6E Cartridge complete with o-rings and cover seal
5	PR-216	Cover seal
6	PR-3	Shaft seal
7	PR-12	O-ring
8	PR-315	Trap intake o-ring
9	PR-208	Flexible coupler
10	PR-62	Pump base (includes rubber feet)

Reference	Part No.	Description
11	PR-207	1/2 HP, 115/230 V, 50/60 HZ Motor with line cord and switch
11	PR-206	1/2 HP Motor with line cord and switch
12	PR-31	Line cord (Emerson motor)
13	PR-54	Motor switch, rocker
14	PR-63	Intake tee with cap
15	NFT5-4	1/4" O-ring cap
16	NFT5-6	3/8" O-ring cap
17	PR-205	Cushioned handle with 3/8" nipple
18	PR-22	Oil fill plug with o-ring
not shown	PR-18	Cartridge valve repair kit

Operating instructions for all pumps manufactured since 1980 available under "Warranty/Repair" at www.jbind.com.